

**8. Transformer based controller for 1~ motors**  
**8.2.1-GB 5-step controller inclusive additional functions for voltage controllable fans**

Type: **R-ET2 ... 14KTG**

**Examples of applications for controlling 1~ fans in 5-steps**

Manual 5-step speed change-over of one or more 1~ fans e. g. in: heat exchangers (as warm-air heaters), hoods, ventilation of rooms.

Via potential-free contact, e. g. of thermostat (type SRE1G), the device can be switched ON / OFF in the preselected step. Thus simple temperature control is accomplished. The device includes potential-free and 230 V power on contacts for the connection of gas valves (hoods application) or damper control motors (see connection example on back).

**Equipment**

Transformer based controllers for voltage controllable 1~ fans

- 5-step switch for manual speed control
- Remote control (ON/OFF) via potential-free contact
- Motor protection using thermocontact connection. Automatic switch-off by motor over-temperature. Restart after cooling the drive unit by switch-off and after that switch on the mains voltage or by step-switch („reset“).
- Switch-off with interlock e. g. for antifreezing thermostat (restart see motor failure) For R-ET2.. 7KTG by bonding into the TK-connection (see switching suggestion on back). For R-ET9.. 14KTG direct connection possible.
- A power on lamp is integrated.
- Automatic switch on after power failure.
- Additional power on contact
  - Potential-free changer
  - 230 V switched and constant voltage

**Enclosed version**



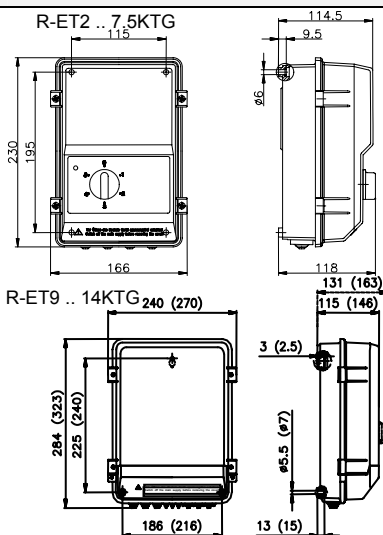
**Technical data**

- Line voltage 1~ 230 V, 50/60 Hz
- Output voltage 65 V - 110 V - 135 V - 170 V - 230 V
- Max. load of the power on contacts
  - Potential-free changer (terminals 11, 12, 14) 250 V AC / 2 A
  - 230 V switched and constant voltage max. 1 A (terminals 1, 2, 3)
- Max. ambient temperature +40° C

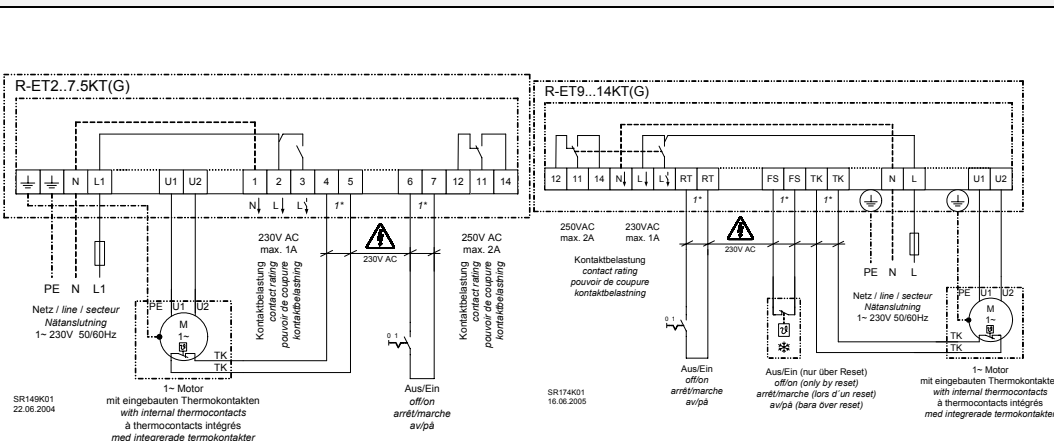
- R-ET2 ... 6KTG: plastic housing light grey RAL7035 top ABS, bottom Wellamid
- R-ET7.5.. 14KTG: housing top ABS plastic light grey RAL7035 bottom aluminium die casting

Type	Part-No.	Rated current	Max. line fuse	Max. heat dissipation	Protection	Weight
R-ET2KTG	302050	2.0 A	T4 A	approx. 30 W	IP54	2.3 kg
R-ET3.5KTG	302051	3.5 A	T4 A	approx. 45 W	IP54	3.6 kg
R-ET6KTG	302052	6.0 A	T8 A	approx. 50 W	IP54	5.1 kg
R-ET7.5KTG	302054	7.5 A	T8 A	approx. 55 W	IP54	6.1 kg
R-ET9KTG	302058	9.0 A	T16 A	approx. 55 W	IP54	10.6 kg
R-ET12KT	302059	12.0 A	T20 A	approx. 85 W	IP21	10.6 kg
R-ET14KTG	302060	14.0 A	T20 A	approx. 110 W	IP54	12.6 kg

**Dimension sheet [mm]**



**Connection diagram**



Ziehl-Abegg AG  
 Heinz-Ziehl-Straße  
 D-74653 Künzelsau

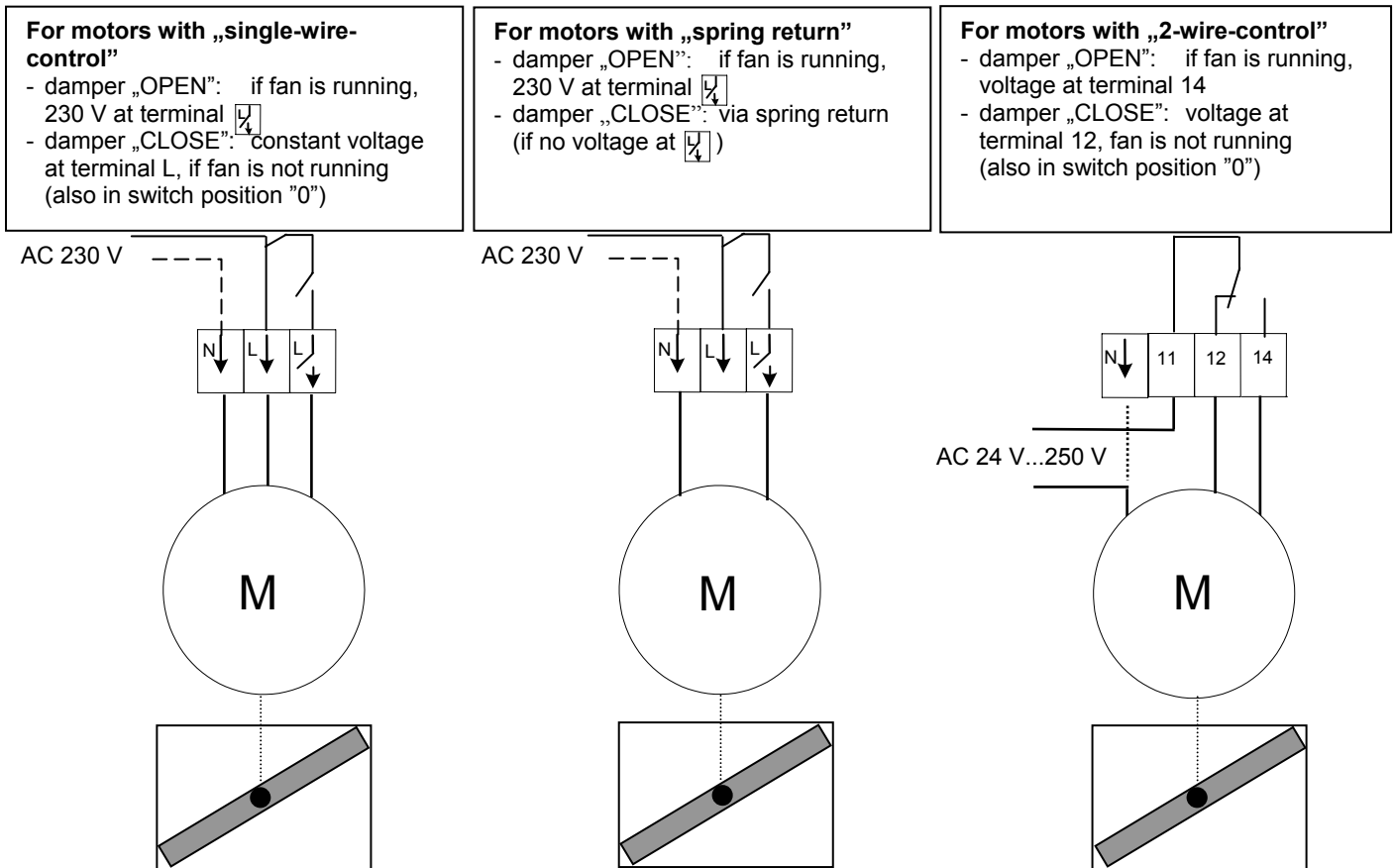
Tel.: +49 (0) 7940 16-0  
 Fax: +49 (0) 7940 16-504  
 info@ziehl-abegg.de http://www.ziehl-abegg.de



## Connection example for damper control motors

Connection of damper control motors (different models) is possible via the potential-free contacts or via the 230 V contacts of the power on relay. This relay rises, if the device is activated and the fan is running. By switching off via remote control (terminals „6“-„7“ or in case of motor fault (interruption thermocontact connection terminals „4“ and „5“) the relay falls off.

For damper control motors with „single-wire-control“ connection with constant voltage (also in switch position „0“) for „damper CLOSE“.



## Connection suggestion with antifreezing thermostat

